

DESCRIPTION

- Brass construction with chrome plated finish
- 1/2" IPS connections
- 8" widespread
- 8" spout reach

OPERATION

- 4" wrist blade handles with hot and cold color indicators*
*Smooth handle models have hot and cold color indicator at torx head screw
- 1/4 turn to open (clockwise to close)
- Vandal resistant torx head screws

FLOW

- Water usage is limited to these maximum flow rates as indicated by the corresponding product markings

CARTRIDGE

- Brass shell, ceramic disc cartridge
- Nonmetallic/nonferrous and ceramic material

STANDARDS

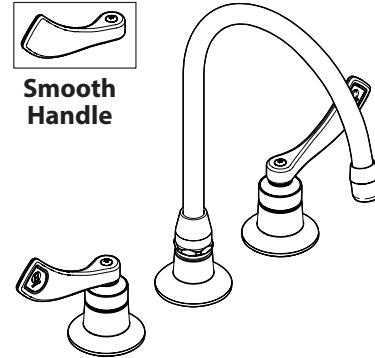
- Third party certified to WaterSense®, ASME A112.18.1/CSA B125.1, and all applicable requirements referenced therein
- Certified to NSF 61/9 & 372
- Products marked with 1.2 gpm are compliant with California water efficiency regulations
- Complies with California Proposition 65 and with the Federal Safe Drinking Water Act
- **ADA** for lever handles

WARRANTY

- Warranted for 5 years against material or manufacturing defects



Smooth Handle



Two-Handle Bar/Pantry Faucet with Spout

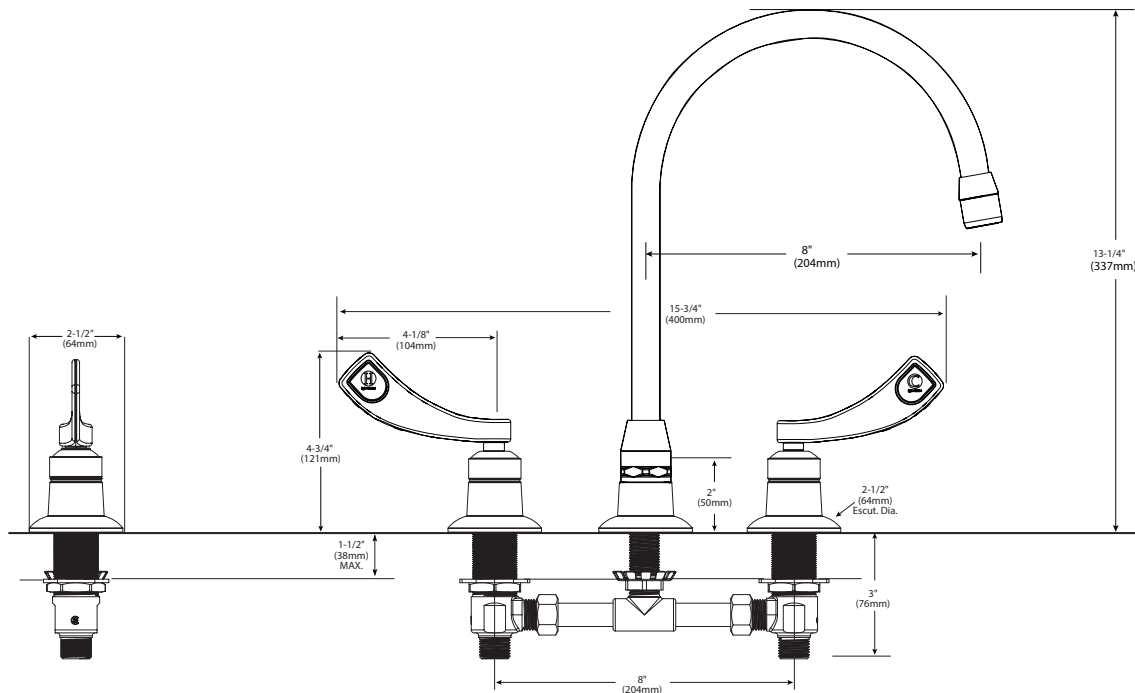
MODEL	FLOW (gpm/Lpm)	HANDLE STYLE
❖ 8225	1.5/5.7	Decal
* 8225SM	2.2/8.3	Smooth
❖ 8225SMF15	1.5/5.7	Smooth

* Includes optional 2.0 gpm (7.6 L/min) max. laminar flow spout base conversion kit

❖ Includes optional 1.5 gpm (5.7 L/min) max. laminar flow spout base conversion kit



NOTE: Designed to be installed through 3 holes - 1-9/32" min. dia.



CRITICAL DIMENSIONS
(DO NOT SCALE)